

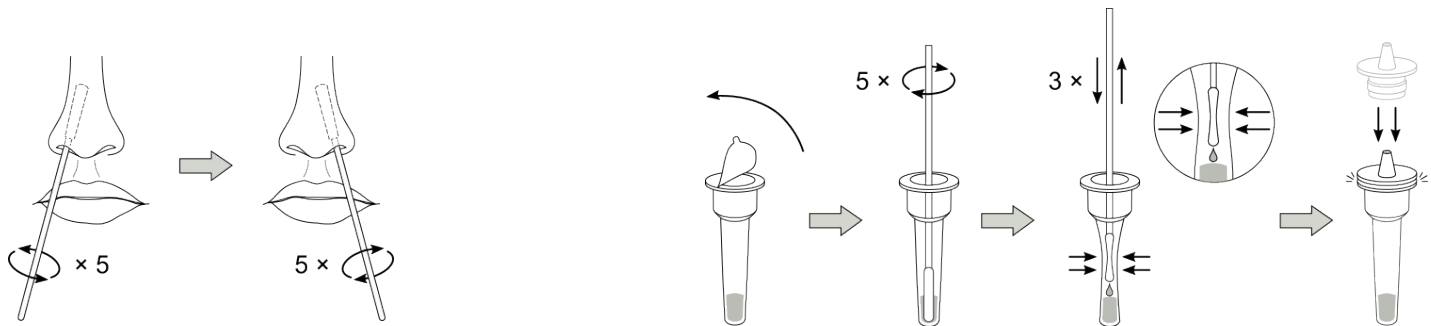
## Product features

- Sample: nasal swab
- Packaging: 1 test/box
- Fast test: results in 15 minutes
- Reliable
- User friendly

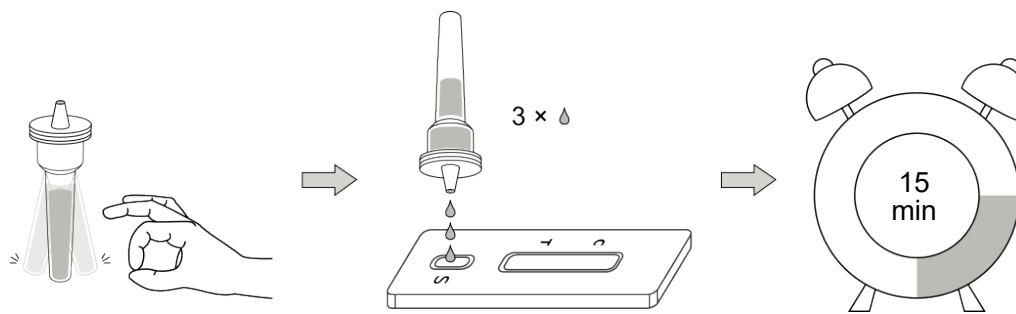
## Composition

Name	Quantity/box
Test card	1
Dilution tube	1
Tube cap	1
Nasal swab	1
Package insert	1

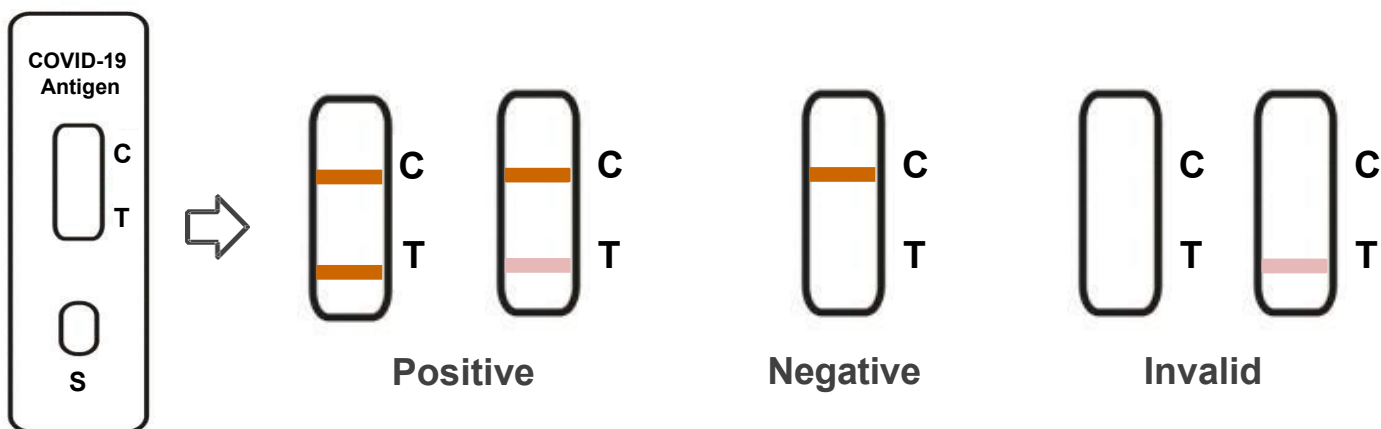
## SAMPLING STEPS



## DETECTION STEPS



## INTERPRETATION OF RESULTS



**Positive(+):** Red bands appear at both of T and C line in 15 to 30 minutes.  
A white band at the T line should be considered as a negative result.

**Negative(-):** A red band appears at C line while no red band appears at T line in 15 to 30 minutes after sample loading.

**Invalid:** As long as no red band appears at C line, it indicates that the test result is invalid and should retest the sample with another test card.