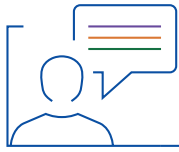




Duckworth & Kent
reusable titanium surgical instrument manufacturer



NEWSLETTER

February 2020



A refractive correction procedure from Carl Zeiss Meditec AG, which is carried out in a single step with a femtosecond laser, without the need to cut a flap.



The ReLex® SMILE Procedure



A refractive correction procedure from Carl Zeiss Meditec AG, which is carried out in a single step with a femtosecond laser, without the need to cut a flap.

The femtosecond laser creates a refractive lenticule (a thin round section of corneal tissue formed by creating a lower then upper femtosecond laser pass) in the centre of the cornea.

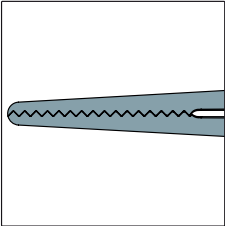
A small incision, less than 4mm, is then made in an otherwise intact cornea. The lenticule is then released from the cornea by using a fine spatula (6-835, 6-836 or 6-836-1) and then removed through the small incision using a fine pair of forceps (2-836E).

The removal of the lenticule has now permanently reshaped the cornea to correct the refractive error.

View below for a selection of SMILE instruments or see the full range at www.duckworth-and-kent.com

2-836E

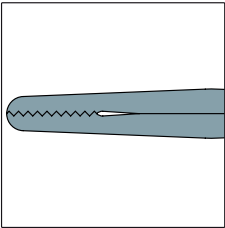
SMILE Lenticule Removal Forceps



- 4mm long serrated jaws
- 30° angled shafts
- Flat long handle, length 114mm
- Design registration number 004383396-0001

2-837

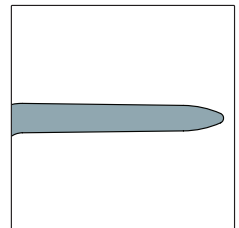
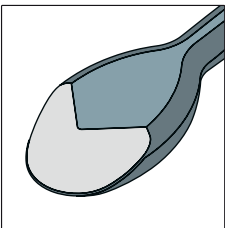
SMILE Lenticule Removal Forceps, 23 Gauge



- Delicate serrated jaws with blunt tip, tip length 3mm
- Curved 23 gauge tube
- Squeeze handle activates both jaws
- Round squeeze handle, length 127mm

6-836

SMILE Double Ended Dissector with Spoon Tip

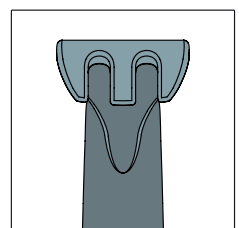
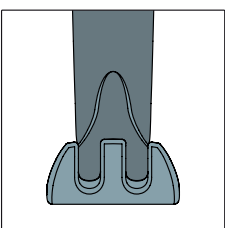


- 1.25 x 0.35mm spoon-shaped tip
- 70° angled curved shaft, tip to angle length 9.5mm
- Laser markings on angled shaft at 7mm, 7.5mm and 8mm

- 0.25 diameter bullet shaped tip
- 60° angled shaft, tip to angle length 2mm
- Round handle, length 116mm

6-837

SMILE Lenticule Hook

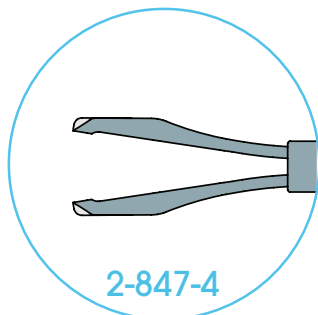


- 1mm wide 3 pronged hook tip up and tip down
- 70° angled shaft, tip to angle length 10mm
- Round handle, length 123mm

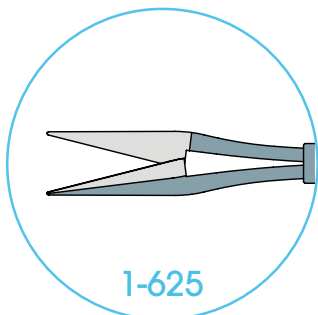
NEW Micro Incisional Instruments Range

THINK SMALL

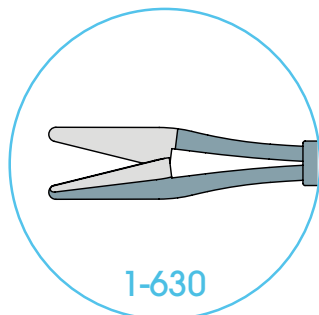
Introducing Duckworth & Kent's premium micro incisional instruments utilising a squeeze-handle mechanism to allow precise cutting and grasping. Developed to meet the ever demanding need for innovative precision manufactured reusable titanium ophthalmic surgical instruments.



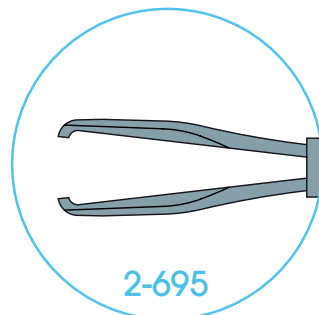
2-847-4



1-625



1-630



2-695

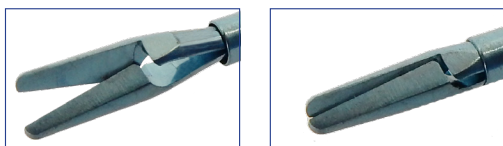
Introducing D&K's premium micro incisional instruments.

Utilising a squeeze-handle mechanism **allowing effective cutting of the IOL implant** through a conventional keratome incision.

In conjunction with the exquisite grasping of the micro incision IOL gripping forceps (2-695) inserted through the paracentesis wound, the micro incision IOL cutting scissors (1-695) enable the surgeon to cut the IOL implant into fragments for explantation.

Coming Soon

1-695 - IOL Implant Cutting Scissors, 17 Gauge



Ergonomically designed
for a more **effective cut**

View our full range of Micro Incisional Instruments at www.duckworth-and-kent.com

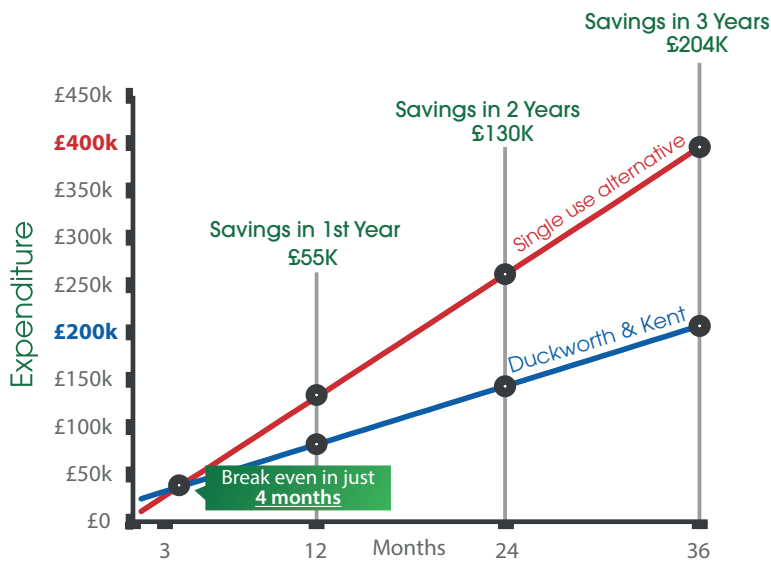
New Instrument

Essential Cataract Set

Building A Sustainable Future



The graph below illustrates the cost savings of a D&K essential cataract instrument set compared to equivalent single-use instruments.



Place Your Order Now

Email: info@duckworth-and-kent.co.uk

Tel: +44(0)1462 893254

Find out more...

Visit the **D&K website** to click on the **cost saving calculator**. Input your figures to find out the savings you can make.

www.duckworth-and-kent.com

Reusable



We are here to help

Interested in our product ranges or have a general enquiry, please contact our dedicated **Customer Service Team**.

Email: info@duckworth-and-kent.co.uk

Tel: +44 (0)1462 893254

Fax: +44 (0)1462 896288



ISO 9001:2015 and ISO 13485:2016 Certified

© February 2020 Duckworth & Kent

D&K® is a registered trademark. All other brand names are trademarks or registered trademarks of their respective owners. All schematic line drawings, photographs and copy in this leaflet are fully protected by copyright. No part of this leaflet may be reproduced in any form without prior written permission. We reserve the right to make changes at any time, without notice, in product specifications and availability. Descriptive, typographic, or photographic errors are subject to correction. Name(s) of instruments are often comprised of surgeon's name, combination of surgeons' names or by the category of the instrument.